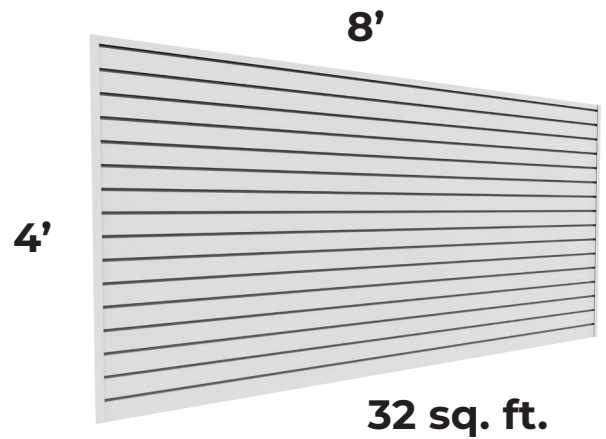




# CrownWall<sup>®</sup>

8' x 4' - Dual 3" Slatwall  
Panel Bundle  
(8pcs. 32 sq.ft.)

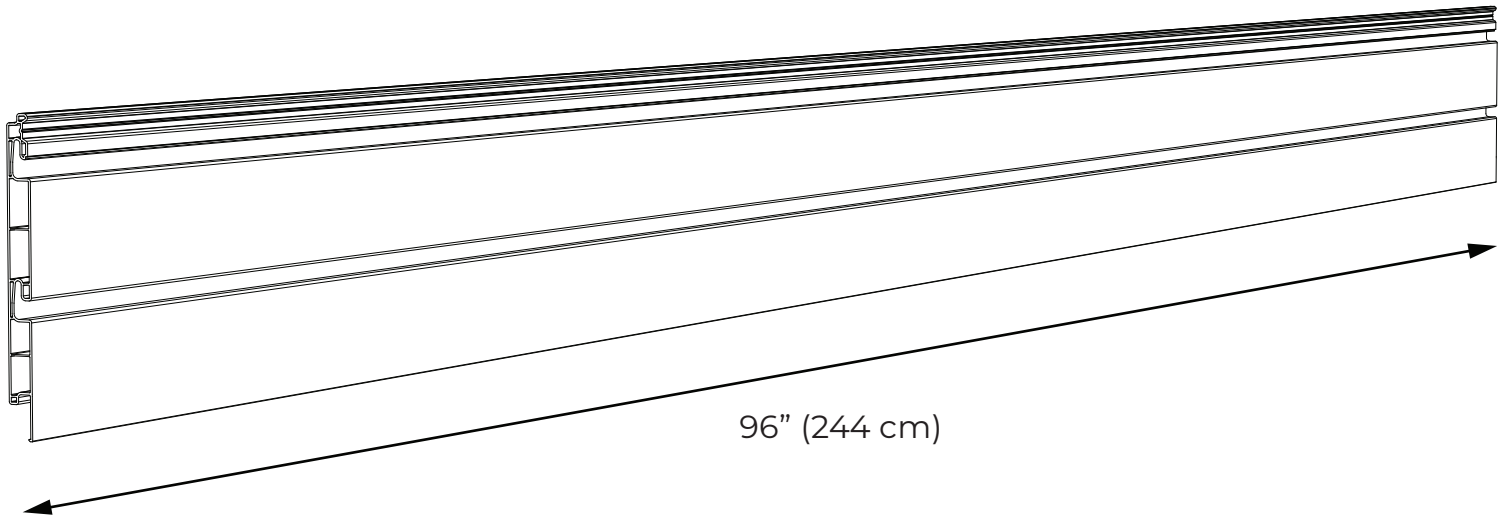
## Installation Instructions



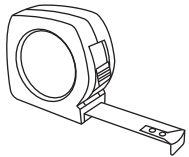
**WATCH OUR INSTALLATION VIDEOS: [garageroyalty.com/install](http://garageroyalty.com/install)**

## What's Included

CrownWall<sup>®</sup>  
Dual 3" Panel **x8**



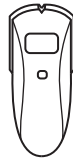
## Tools Required



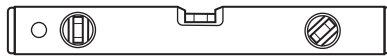
Tape Measure



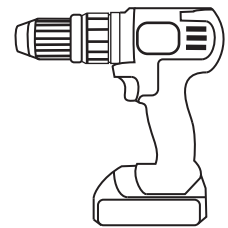
Pencil



Stud Detector



Level



Drill

## Tools To Cut Panels (if required)



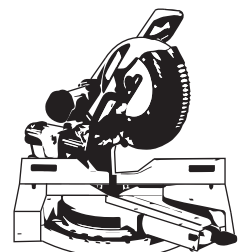
Scissors/Snips  
(If trims need to be cut)



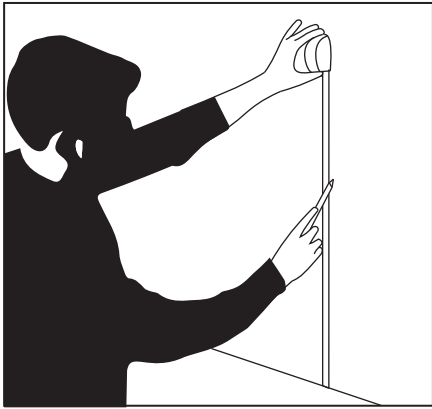
Oscillating Saw



Jig Saw



Mitre Saw



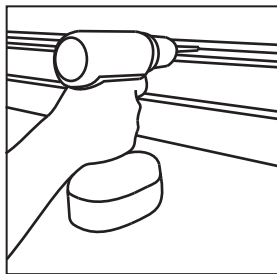
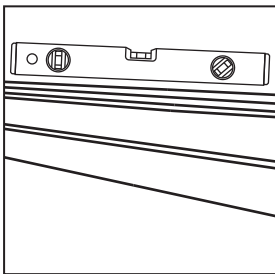
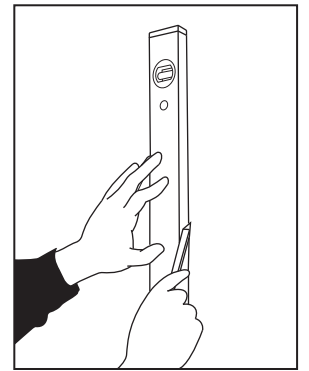
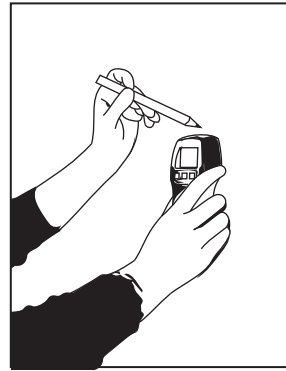
## Step 1

Decide where and how high you would like to start your CrownWall®.

Measure the starting point from the floor up and mark the spot with a pencil.

## Step 2

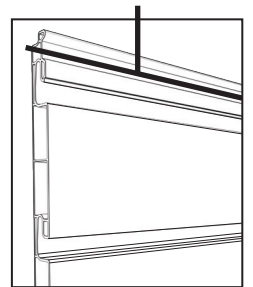
Using the stud finder, locate and mark all studs in between the starting stud and finishing stud. Studs should be centred 16" (41cm) apart in order to support 150lbs (68kg) per square foot. You will need to screw each panel into each stud.



## Step 3

Installing the first panel: use a level to ensure that your starting panel is straight. Start by screwing through the starter line. **The starter line is located in the centre of the upper channel of the panel.** Do this for each stud (16" apart or 41cm) except the start and ending studs.

**Starter Line**



## Step 4

Install J-Trims on each side of the first panel. Use a level to make sure the trim is perpendicular to the panel. Screw through both the upper channel of the panel and the J-Trim into the start and finish studs. The longer side of the J-Trim should be flush to the wall.

